



www.opled.com.tw

Opto Plus LED Corp.

0.56" SMD Type LED Display

OPS-T5610SPG-GW

OPS-T5611SPG-GW

● FEATURES

- 0.56 inch (14.20 mm) Digit Height.
- SMD type.
- Low current operation.
- Gary face, White segment.
- RoHS compliant, Pb Free.

● DESCRIPTION

The OPS-T5610SPG-GW & OPS-T5611SPG-GW are 0.56 inch (14.20mm) height Triple digit 7-segment displays.

This device utilizes Pure Green LED chip which are made from InGaN on a Transparent GaN, substrate.

The display has Gary face, White segment.

● DEVICE

PART NO	DESCRIPTION
OPS-T5610SPG-GW	Common Anode
OPS-T5611SPG-GW	Common Cathode

RoHS Compliance



Pb free.





www.opled.com.tw

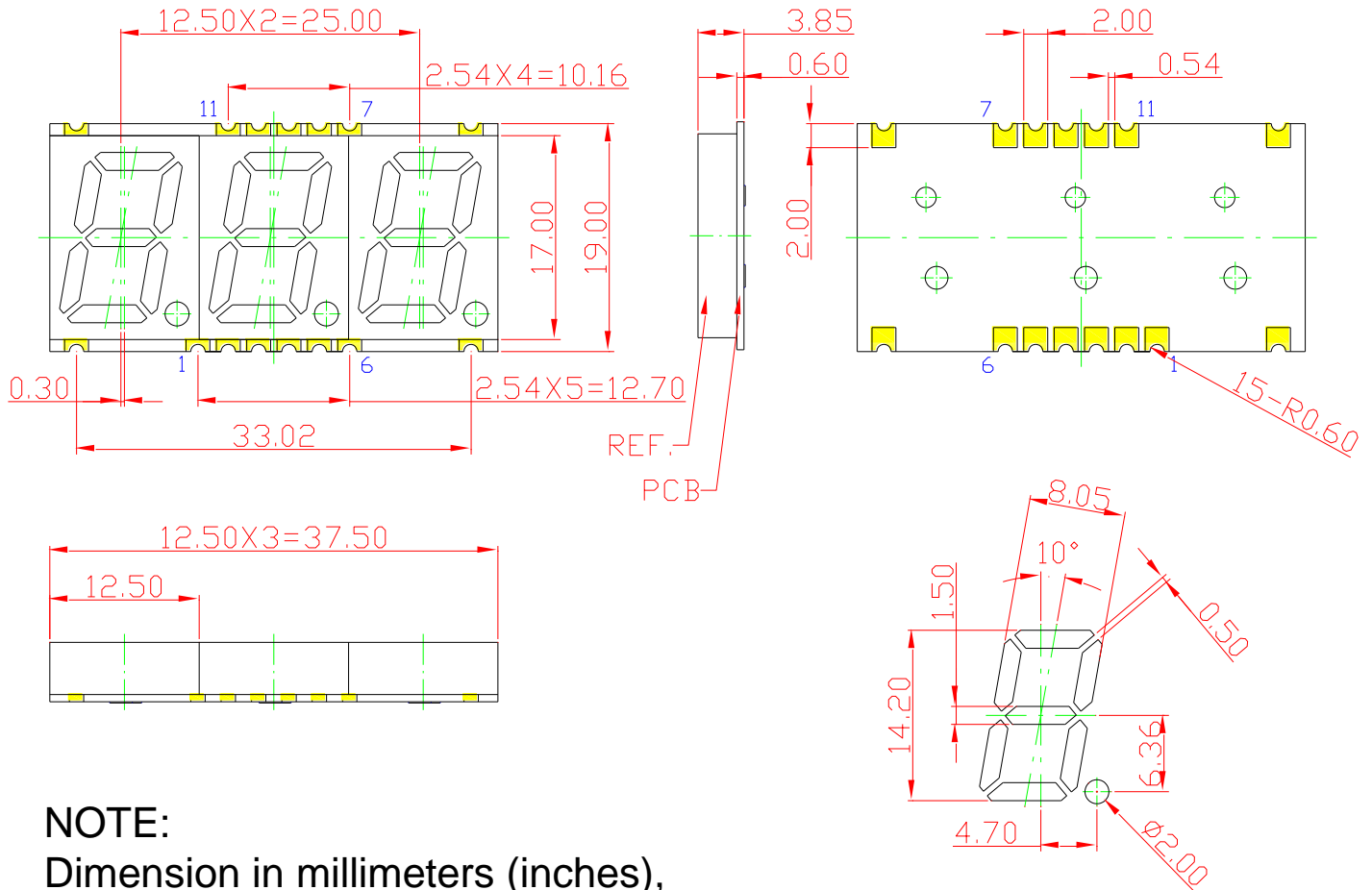
Opto Plus LED Corp.

0.56" SMD Type LED Display

OPS-T5610SPG-GW

OPS-T5611SPG-GW

● MECHANICAL DIMENSIONS



NOTE:

Dimension in millimeters (inches),
and tolerances are ± 0.25 mm (.01") specified.



www.opled.com.tw

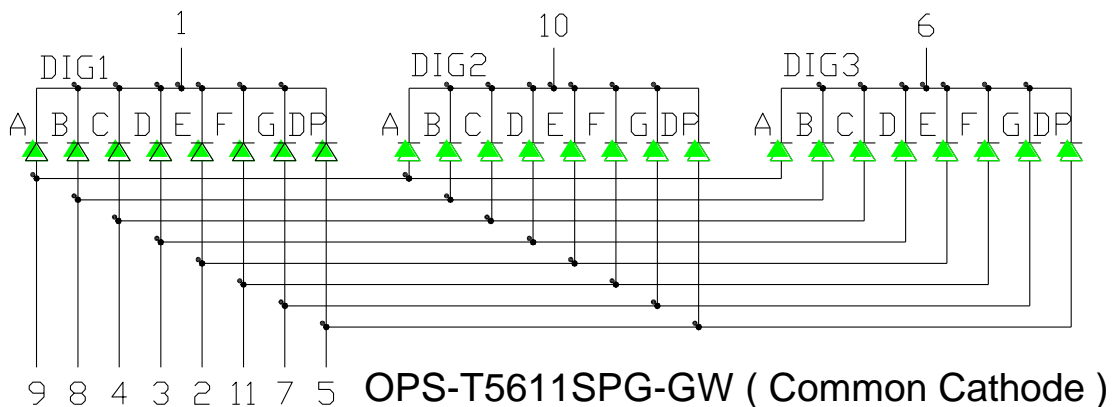
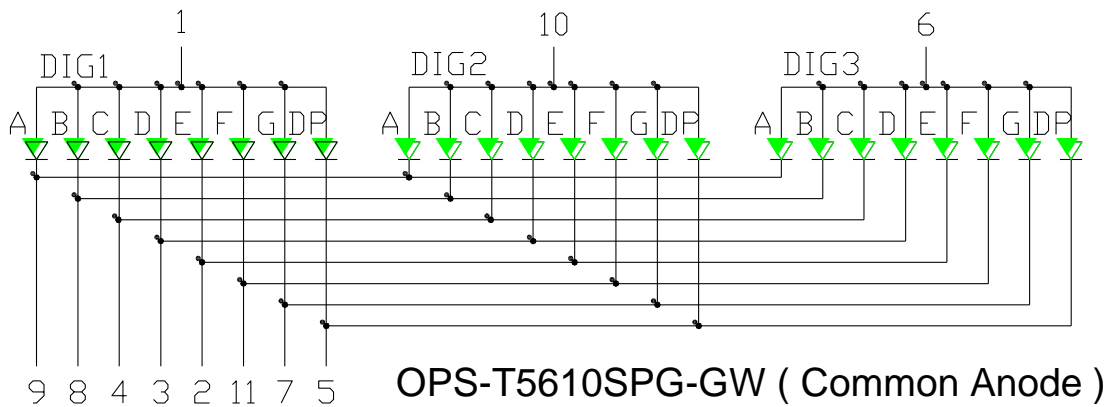
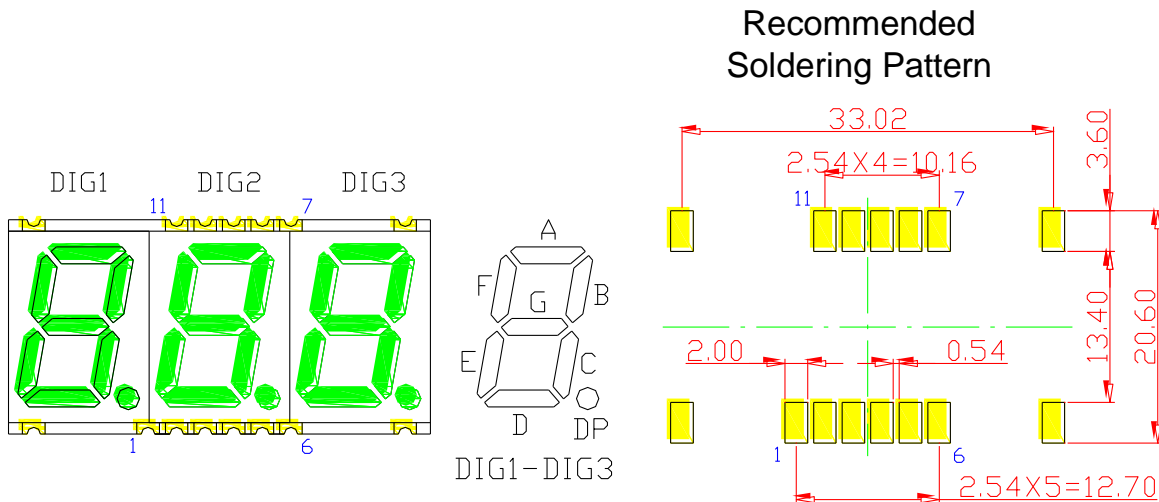
Opto Plus LED Corp.

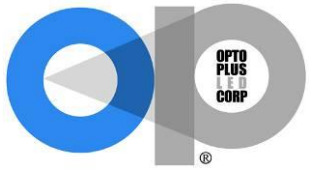
0.56" SMD Type LED Display

OPS-T5610SPG-GW

OPS-T5611SPG-GW

● TYPICAL INTERNAL EQUIVALENT CIRCUIT





www.opled.com.tw

Opto Plus LED Corp.
0.56" SMD Type LED Display
OPS-T5610SPG-GW
OPS-T5611SPG-GW

● **SPG: PURE GREEN (InGaN/GaN)**

ABSOLUTE MAXIMUM RATING AT Ta=25°C

Parameter	Symbol	Maximum Rating	Unit
Power dissipation	P _{AD}	120	mW
Derating liner from 25°C	-	0.3	mA / °C
Continuous forward current	I _{AF}	30	mA
Peak current (duty cycle 1/10, 1kHz)	I _{PF}	100	mA
Reverse voltage	V _R	5	V
Operating temperature	T _{OPR}	-40 to +105	°C
Storage temperature	T _{STG}	-40 to +105	°C

ELECTRICAL - OPTICAL CHARACTERISTICS AT Ta=25°C

Characteristic	Symbol	Condition	Min.	Type.	Max.	Unit
Forward Voltage, (Per Dice)	V _F	I _F =20mA	-	2.8	3.2	V
Reverse Current, (Per Dice)	I _R	V _R =5V	-	-	10	μA
Dominant Wavelength	λ _D	I _F =20mA	515	-	530	nm
Luminous Intensity	I _v	I _F =20mA	350	-	650	mcd
Spectral Line Half-Bandwidth	Δλ	I _F =20mA	-	30	-	nm



www.opled.com.tw

Opto Plus LED Corp.

0.56" SMD Type LED Display

OPS-T5610SPG-GW

OPS-T5611SPG-GW

● SPG: PURE GREEN (InGaN/GaN) CURVE

Typical Electro-optical Characteristic Curves
(25 °C Free Air Temperature Unless Otherwise Specified)

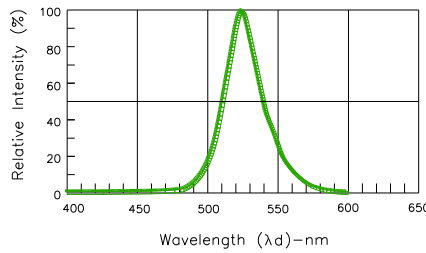


Fig.-1 Relative Intensity VS. Wavelength

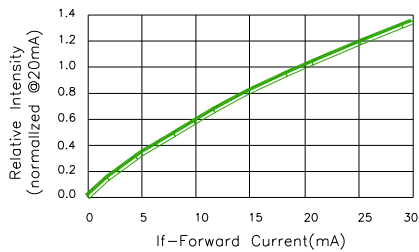


Fig.2-Relative Luminous Intensity vs. Forward Current

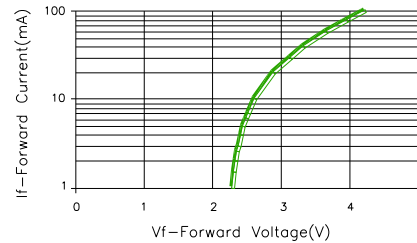


Fig.3-Forward Current vs. Forward Voltage

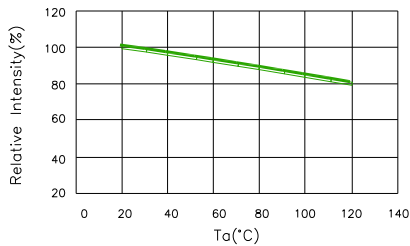


Fig.4-Relative Intensity(@20mA)VS. Ambient Temperature

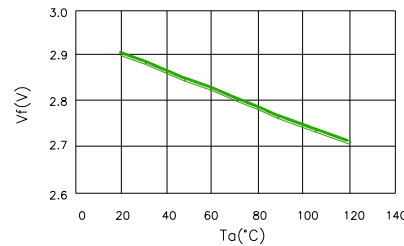


Fig.5-Forward Voltage(@20mA)VS. Ambient Temperature

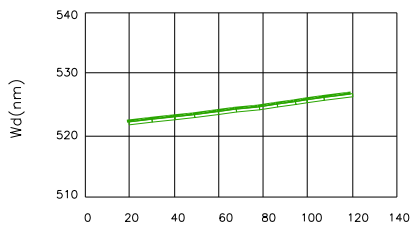


Fig.6-Dominant Wavelength(@20mA)
VS. Ambient Temperature

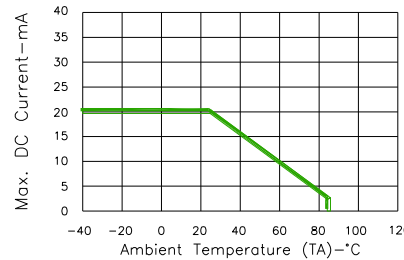


Fig.7-Max. Allowable DC Current
VS. Ambient Temperature



www.opled.com.tw

Opto Plus LED Corp.

0.56" SMD Type LED Display

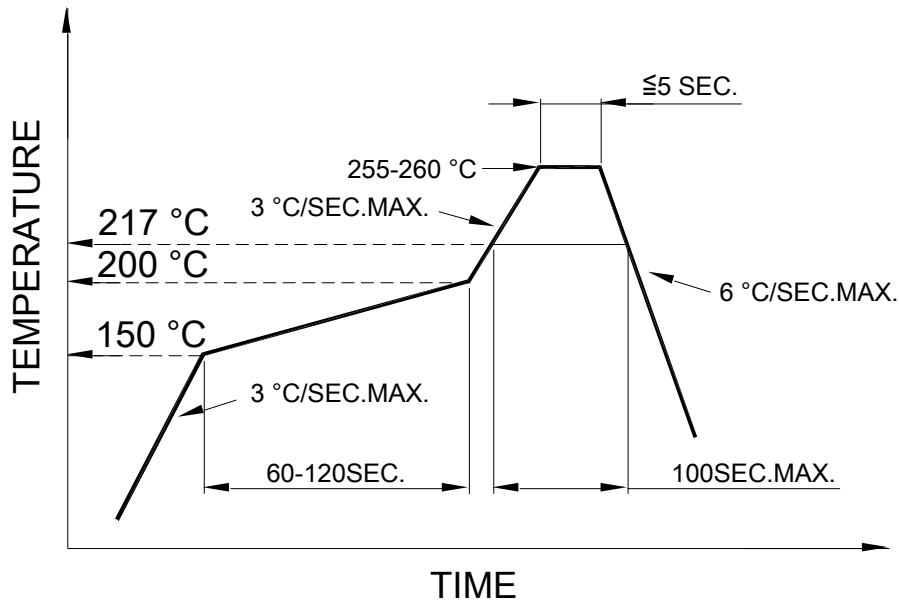
OPS-T5610SPG-GW

OPS-T5611SPG-GW

● SMT REFLOW SOLDERING INSTRUCTIONS

SMT Soldering Profile

Pb free reflow soldering Profile



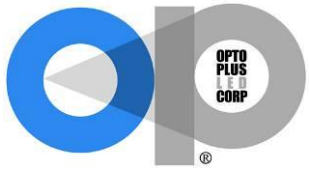
- We recommend the reflow temperature 245°C (+/- 5°C).
The maximum soldering temperature should be limited to 260°C.
- Number of reflow process shall be 2 times or less.

● SOLDERING IRON

Basic spec is ≤ 4 sec when 260°C. If temperature is higher, time should be shorter (+10°C → 1 sec). Power dissipation of Iron should be smaller Than 15W, and temperature should be controllable. Surface temperature Of the device should be under 230°C.

● REWORK

- Customer must finish rework within 3 sec. under 350°C.
- The head of soldering iron cannot touch copper foil.



www.opled.com.tw

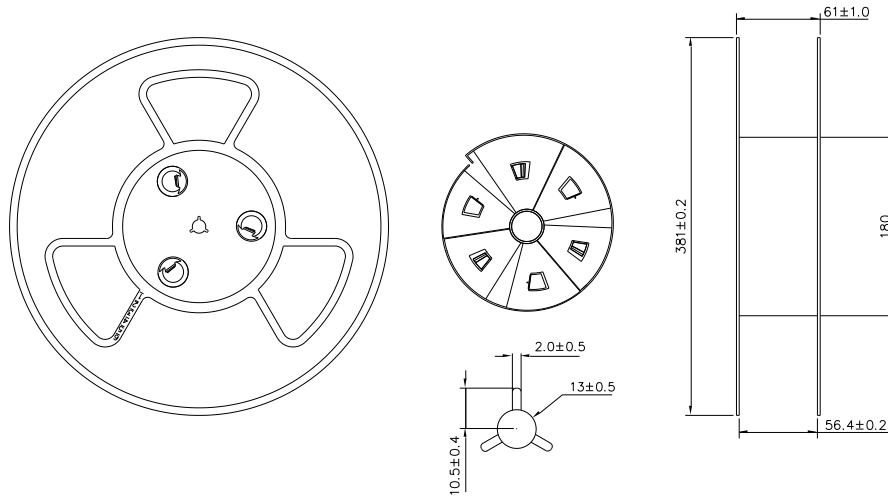
Opto Plus LED Corp.

0.56" SMD Type LED Display

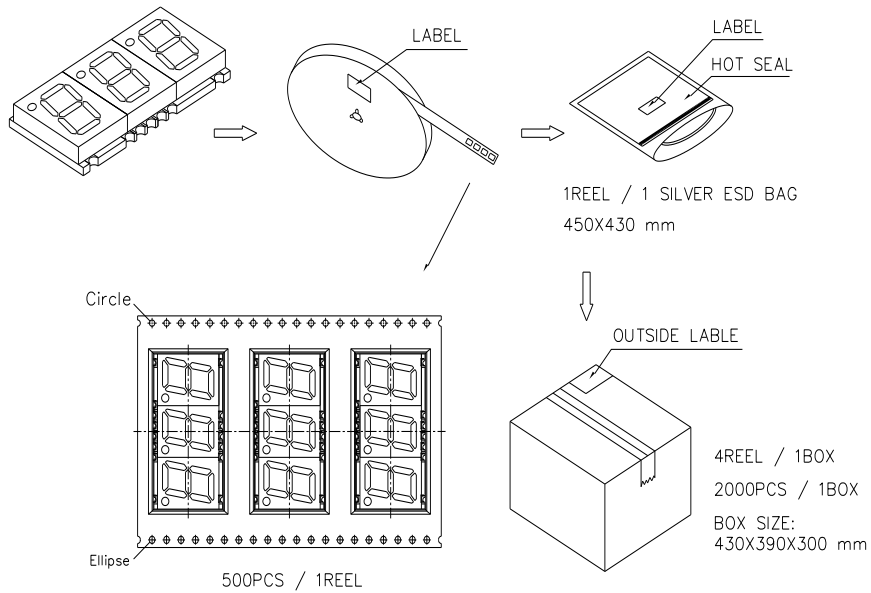
OPS-T5610SPG-GW

OPS-T5611SPG-GW

● REEL DIMENSIONS



● PACKING & LABEL SPECIFICATIONS



● STORAGE CONDITION

In factory original sealed bag package

TEMPERATURE CONDITION	HUMIDITY CONDITION
5°C ~ 30°C	Below 60%RH

After opened and not in factory original sealed bag package

TEMPERATURE CONDITION	HUMIDITY CONDITION	STORAGE TIME
5°C ~ 30°C	Below 60%RH	Within 4 weeks (MSL as level 2a)